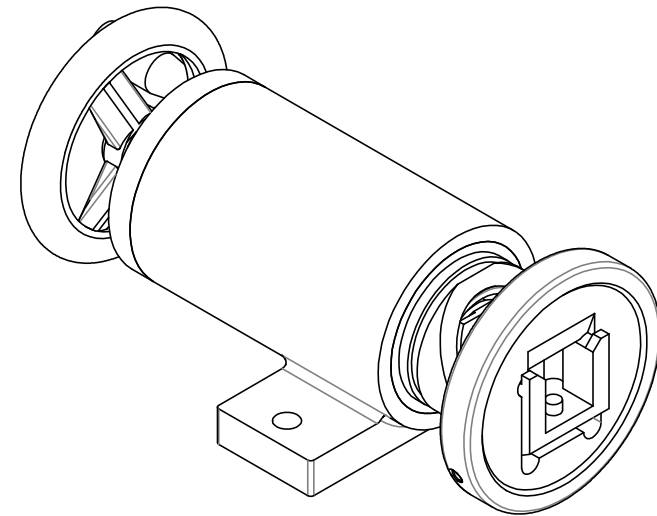
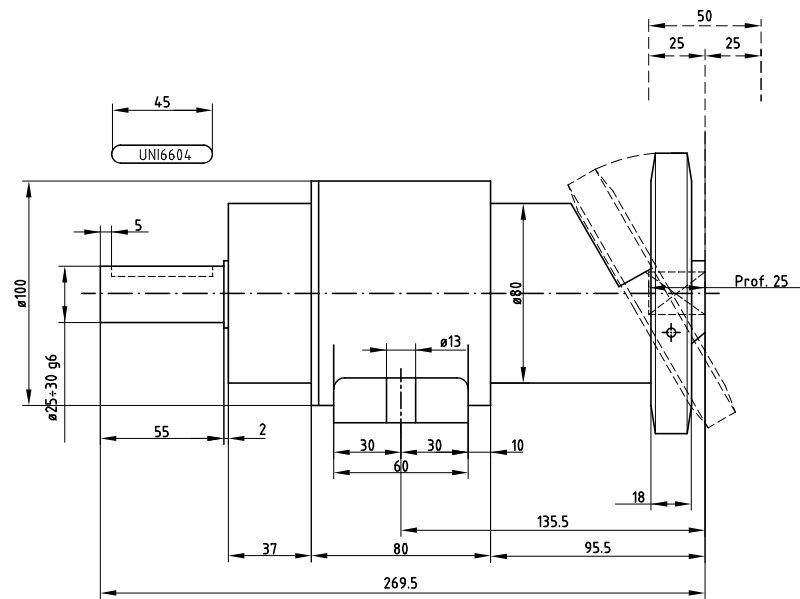
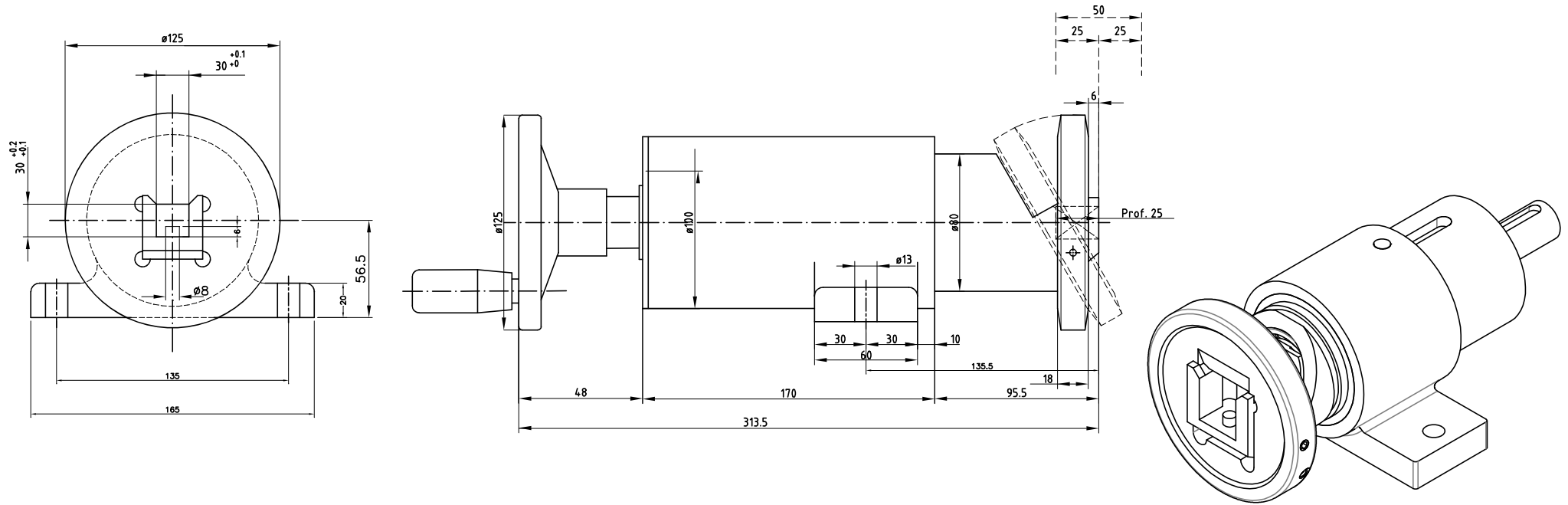


SL50-G/P2-1/U30/C50



Peso Max. Bobina (Max. Roll Weight):

6000 N

Velocità Max. (Max. Speed):

300 RPM

Coppia Torc. Max. (Max. Torque):

235 Nm

