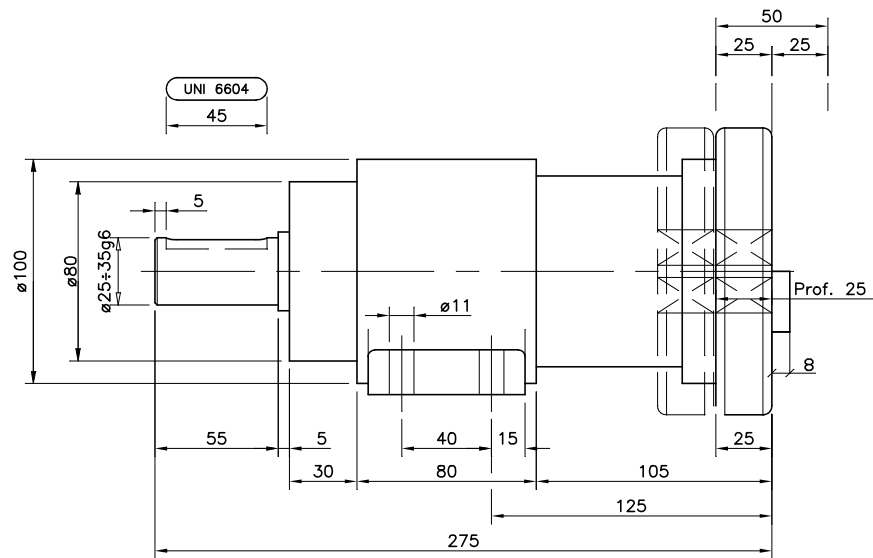
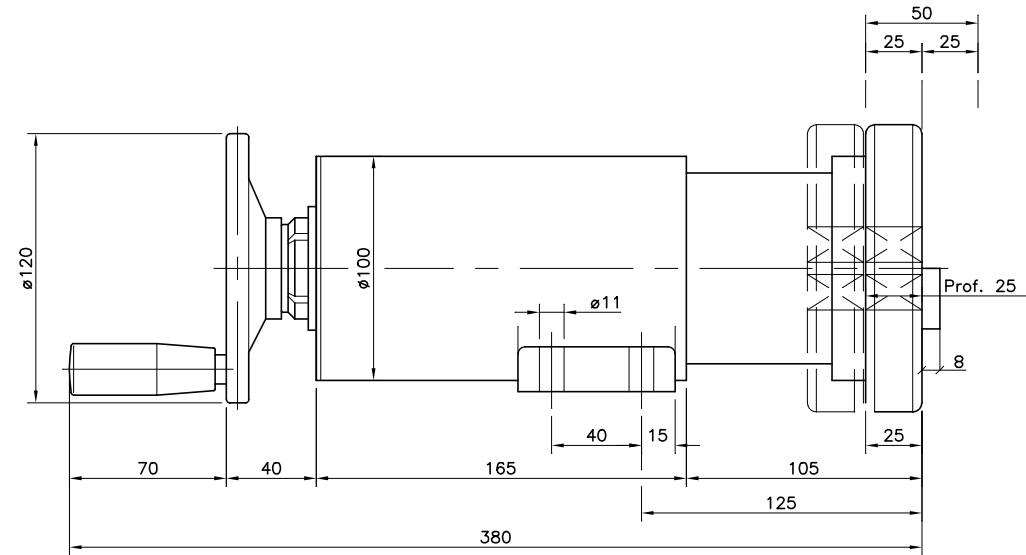
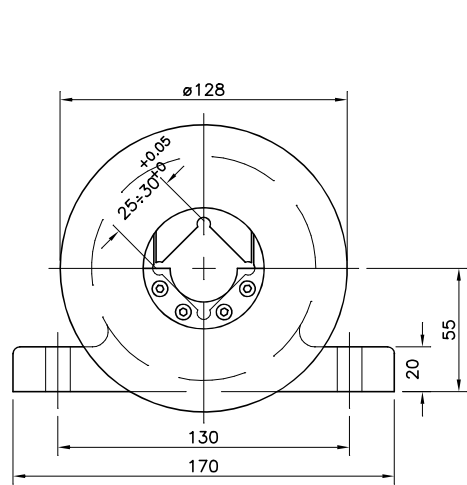


# SL500/P2-1/V25÷30/C50



Peso Max. Bobina (Max. Roll Weight): 7000 N

Velocità Max. (Max. Speed): 1100 RPM

Coppia Torc. Max. (Max. Torque): 300 Nm

