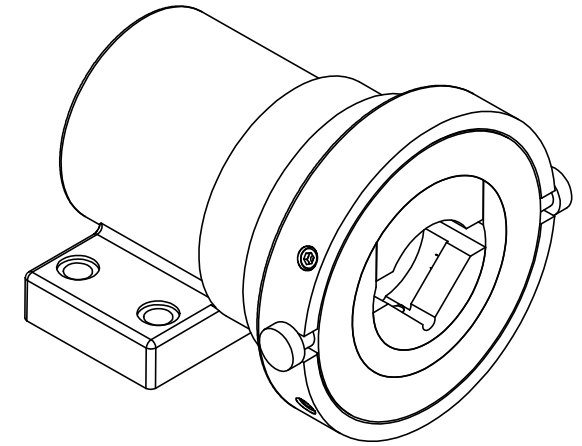
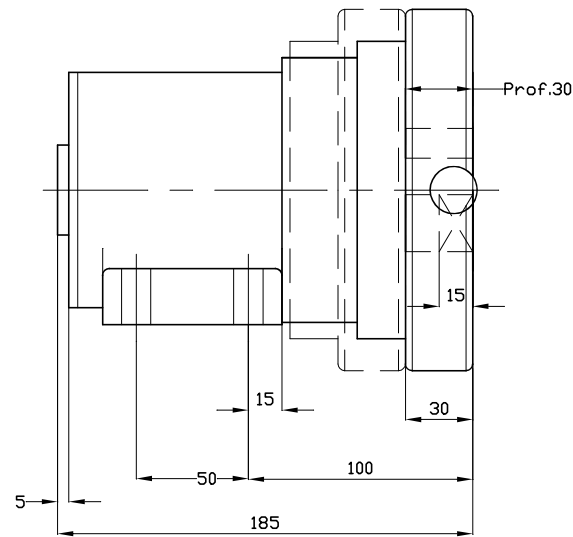
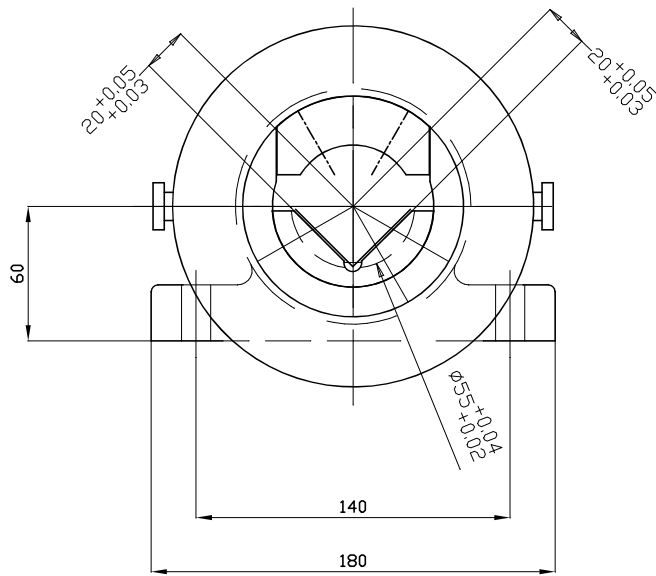
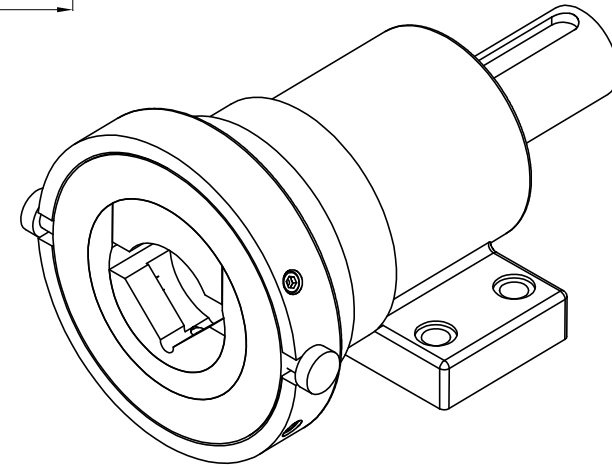
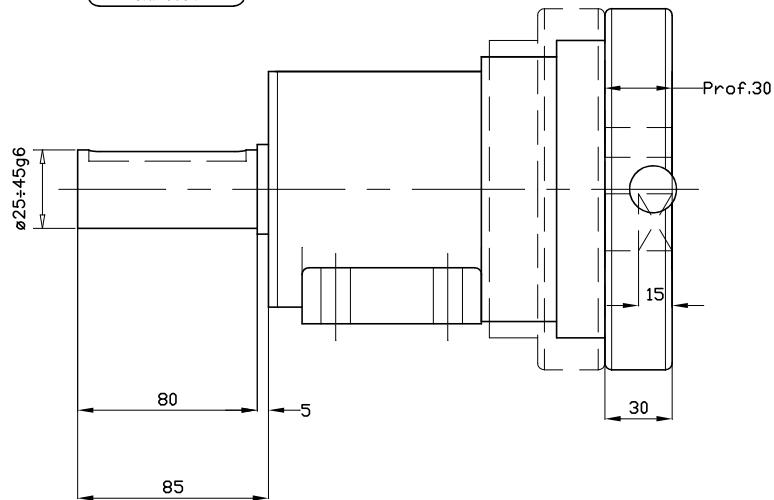


SM100-A/P0-1/Q40-T55



UNI 6604



Peso Max. Bobina (Max. Roll Weight):	14400 N
Velocità Max. (Max. Speed):	1100 RPM
Coppia Torc. Max. (Max. Torque):	900 Nm

