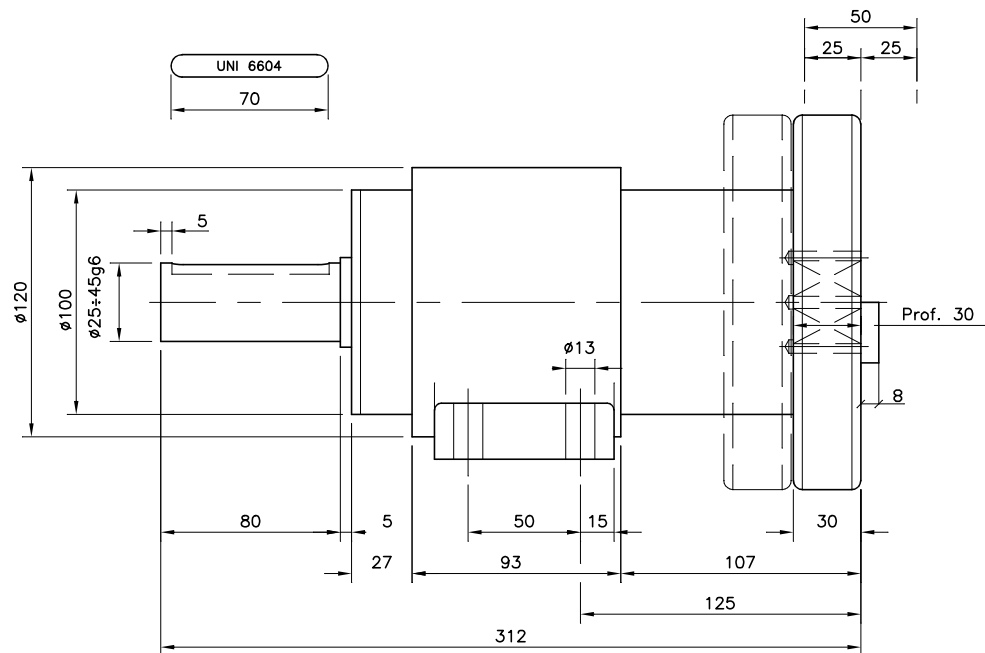
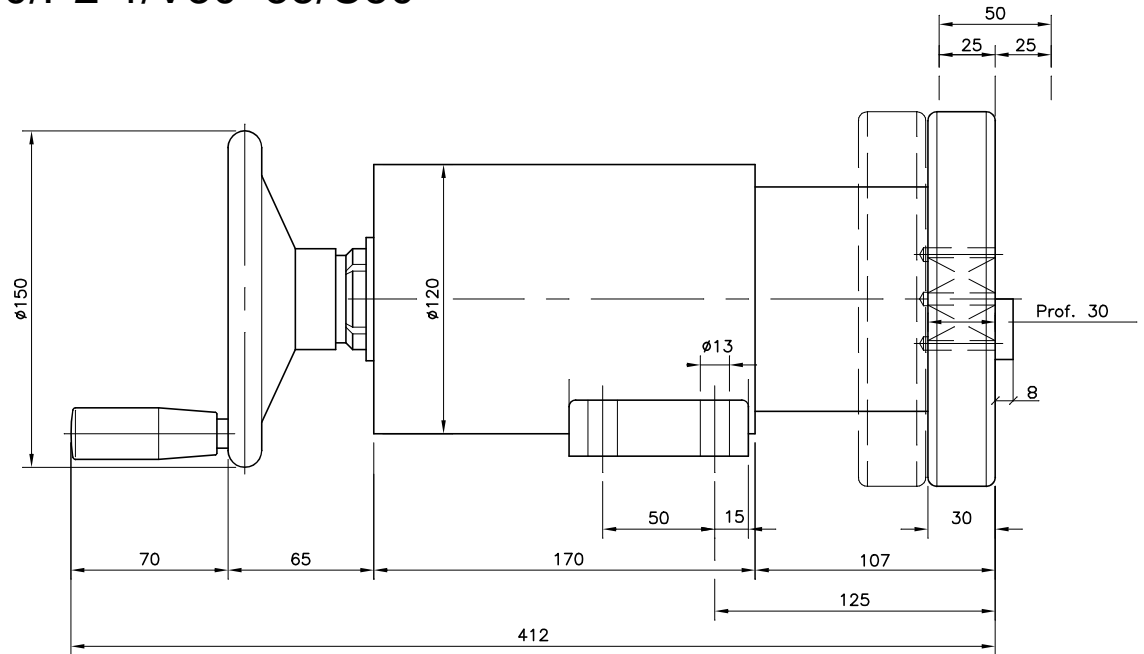
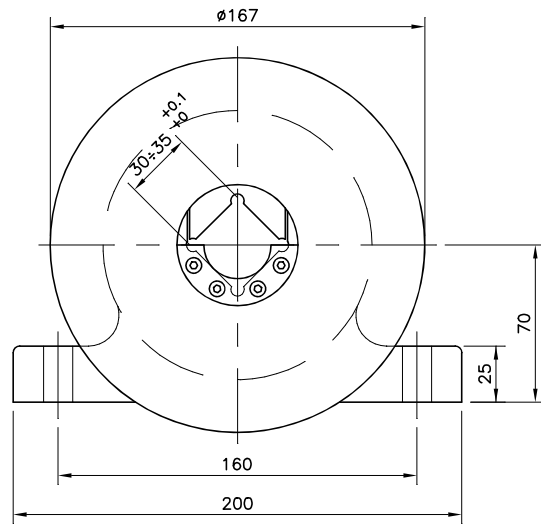


# SM500/P2-1/V30÷35/C50



Peso Max. Bobina (Max. Roll Weight): 14400 N

Velocità Max. (Max. Speed): 1100 RPM

Coppia Torc. Max. (Max. Torque): 900 Nm

